

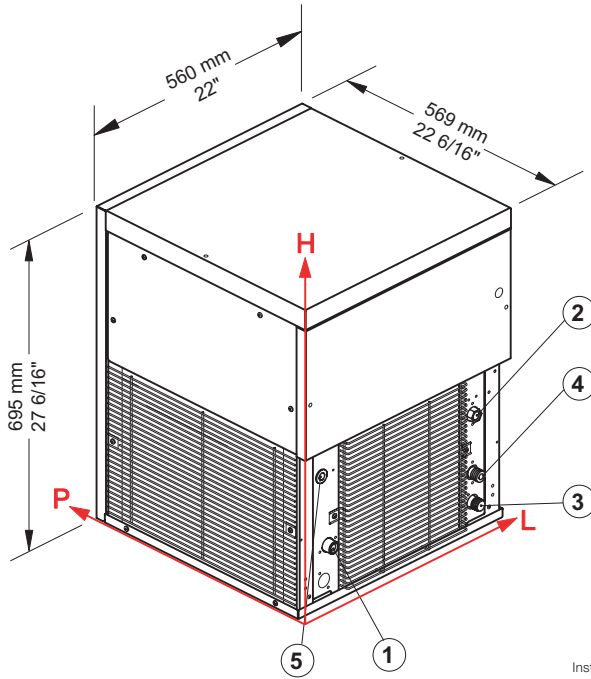


Ice Flakes

G 280 HC



Modular ice maker - Granular system Daily production up to 300 kg



Installation



► Working conditions

- Location: Indoor

	Min	Max
Ambient temperature	+10° C / +50° F	+43° C / 110° F
Water temperature	+3° C / +37° F	+32° C / +90° F
Voltage	-10%	+10%
Water inlet pressure	1bar (14 psi)	6bar (84 psi)

► Performances

Air temperature	Air temperature					
	7° C	45° F	15° C	60° F	21° C	70° F
10° C	300 kg					
50° F		661 lbs				
21° C			280 kg			
70° F				617 lbs		
32° C					230 kg	
90° F						507 lbs

► Connections

All measures are referred to the down-left corner (L-H-Ø)

- ① Water in.: 80,5 mm / 3 3/16" - 120 mm / 4 12/16" - 3/4"
- ② Cond. water in.: 479,5 mm / 18 14/16" - 260 mm / 10 4/16" - 3/4"
- ③ Water out.: 479,5 mm / 18 14/16" - 65 mm / 2 9/16" - 24 mm / 15/16"
- ④ Cond. water out.: 479,5 mm / 18 14/16" - 130 mm / 5 2/16" - 24 mm / 15/16"
- ⑤ Electrical connections: 67,5 mm / 2 11/16" - 290 mm / 11 7/16"
- ② ④ Only for water cooling systems

► Technical information

Production in 24h	280 kg / 617 lbs	Water consumption	A: 1 l/kg - 12,0 gal/100 lbs W: 6 l/kg - 71,9 gal/100 lbs
Cooling system	A - W	Sizes (L-P-H mm)	560 - 569 - 695
Refrigerant	R290	(L-P-H in)	22 - 22 6/16 - 27 6/16
Standard voltage	220-240 V ~ 50 Hz	Sizes with pack (L-P-H mm)	645 - 645 - 910
Average power consumption	1100 W	(L-P-H in)	25 6/16 - 25 6/16 - 35 13/16
Fuse	10 A	Net weight	83 kg / 183 lbs
Electrical consumption	11 kWh/100kg	Gross weight	93 kg / 205 lbs
Finish	AISI 304 stainless steel, scotch brite		

All the technical information need to be considered at the following conditions:

- Ambient temperature +21° C
- Water temperature +15° C
- Electrical consumption at +32° C (standard voltage)
- Average power consumption at +43° C (standard voltage)

Models and specifications are subject to change without notice

Rev. 03 - Issued January 2025



www.bremagroup.it
info@bremoicegroup.it

We are Brema

